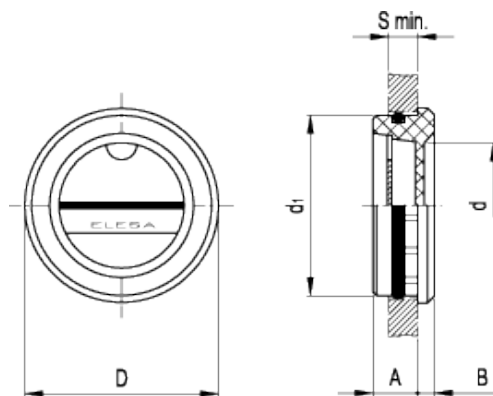


HE.

Oil level indicators push-fit



ELESA Original design



technical informations

Material

Transparent high mechanical resistance polycarbonate. Resistant to acids, alkali, greases and oils. Not suitable for use with oils with additives and solvents. Avoid contact with alcohol or detergents containing alcohol.

Contrast screen

White lacquered aluminium with red level line.

Packing ring

NBR synthetic rubber O-Ring.

Maximum continuous working temperature

100°C.

Features and applications

The push-fit assembly is guaranteed by optimized ribbings. Sealing is guaranteed by the O-ring. HE. oil level indicators push-fit are particularly suitable for assembly on reservoirs with limited pressure.

Assembly instructions

Chamfer hole 1x45° and grease slightly the outside surface of the O-ring to make assembly easier.

Note

For use with fluids containing special additives, please contact ELESA Sales Department.

Standard Elements		Main dimensions						Weight
Code	Description	d ₁	A	B	D	d	S min.	g
11401	HE.17	17	6.5	3	18	9	5	2
11501	HE.20	20	8	3	21	12	6	3
11601	HE.26	26	7.5	3.5	28	17	6	5
11701	HE.30	30	8	4	32	20	7	7
11801	HE.35	35	9	4	38	25	8	10
11901	HE.40	40	10	4.5	43	28	9	13
12001	HE.45	45	11	5.5	47	32	9	18



ELESA and GANTER models all rights reserved in accordance with the law. Always mention the source when reproducing our drawings.

STANDARD MACHINE ELEMENTS WORLDWIDE